

# MixRite DOSING PUMPS

## 10 m<sup>3</sup>/h

Tefen's MixRite line of water driven proportional dosing pumps, are used to ensure precise additive injection directly into the water or fluid line under various flow rates, feed ratios and different ranges of pressure.

### MixRite TF-10

#### Available options

Manual ON/OFF    Hydraulic ON/OFF    Electric ON/OFF

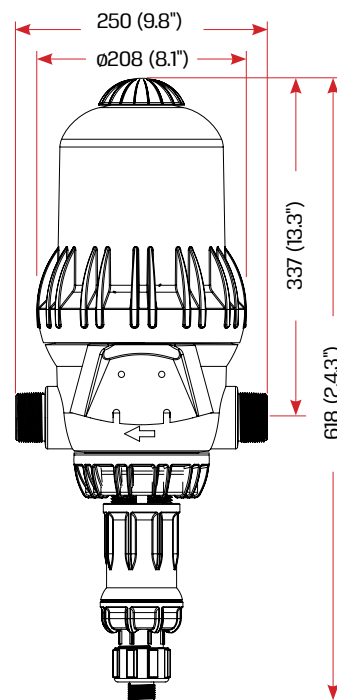


#### Features

- Mixes additive and water precisely
- The dosage can be adjusted easily and quickly
- Repair is simple and inexpensive
- Key internal parts are from the highest quality material available (hastelloy spring, Viton Rubber seal)

#### Technical Information

Water pressure | 1 - 8 bar (14.7 - 120 PSI)  
 Flow Rate | 0.5 - 10 m<sup>3</sup>/h (2 - 45 GPM)  
 Working temp | 4-40° C (39.2-104° F)  
 Coupling | 1.5" or 50 mm  
 \* Legs available upon special request



		L (Height)	
		On/Off	Air Release
Max.		760 (29.9")	660 (26")
Min.		720 (28.34")	625 (24.6")

#### Application Color Code

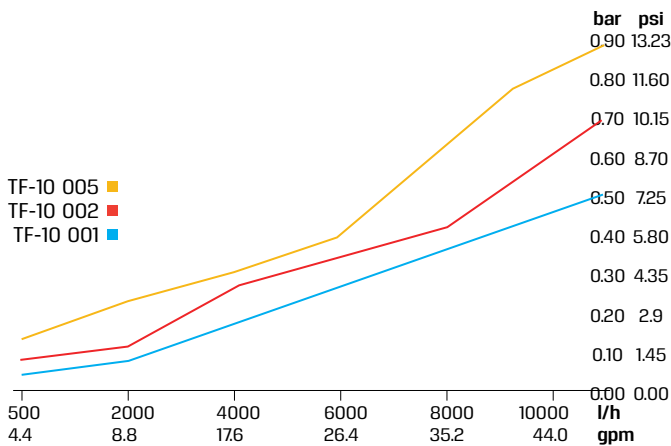
Application	Sleeve Color	TEFEN Code	Seal Material	Spring Material
Irrigation	Blue		NBR	SST
Chlorine	Purple	CL	Viton	Hastelloy



## Application Range

Dosage Rate %	Applications	Flow Rate Range	Pressure Range	Dosage Rate	Connectors Dia. Thread	Min-Max Injection Rate Per Hour	Gross weight std unit
0.1%- 1%	Irrigation / Chlorine / Livestock	0.05-10 m <sup>3</sup> /h 0.2- 45 gpm	1-8 bar 14.7-120 psi	1:1000 - 1:100	1 1/2" BSPT/ NPT	0.05 - 100 l/h 0.013 -26.5gph	7.3 KG 16.09 lbs
0.2% - 2%	Irrigation / Chlorine / Livestock	0.05-10 m <sup>3</sup> /h 0.2- 45 gpm	1-8 bar 14.7-120 psi	1:500 - 1:50	1 1/2" BSPT/ NPT	0.1 - 200 l/h 0.026 -53gph	7.3 KG 16.09 lbs
1% - 5%	Irrigation / Chlorine / Livestock	0.05-10 m <sup>3</sup> /h 0.2- 45 gpm	1-8 bar 14.7-120 psi	1:100 - 1:20	1 1/2" BSPT/ NPT	0.5 - 500 l/h 0.132 -132.3gph	7.3 KG 16.09 lbs

## Pressure Loss



## Max. injection rate/h

