

MixRite™ Dosing Pumps

25 m³/h MixRite™ TF-25

Technical Information

Water pressure | 1 - 8 bar (14.7 - 120 PSI)
 Flow Rate | 0.2 - 25 m³/h (0.9-110 GPM)
 Working temp | 4-40° C (39.2-104° F)
 Coupling | 2" or 63 mm



* Legs - Standard supply

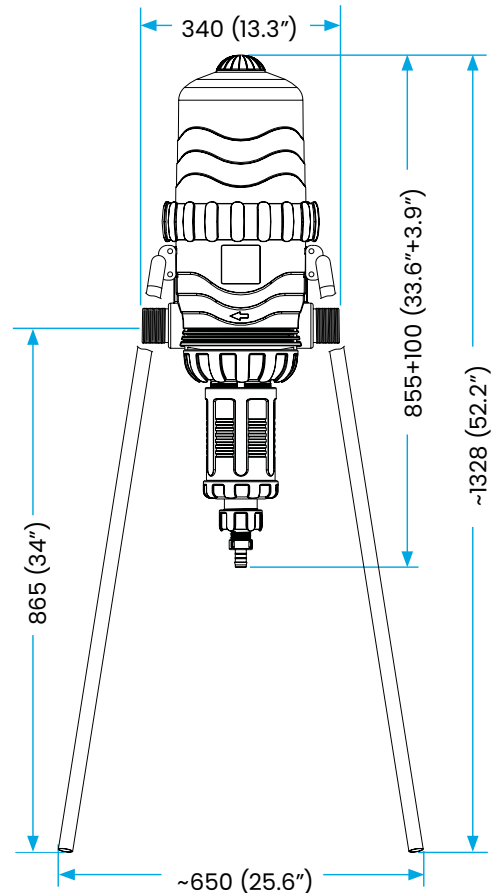
Available options

Manual ON/OFF Hydraulic ON/OFF Electric ON/OFF



Application Color Code

Application	Sleeve Color	TEFEN Code
Irrigation		STD
Water Treatment/Chlorination		CL

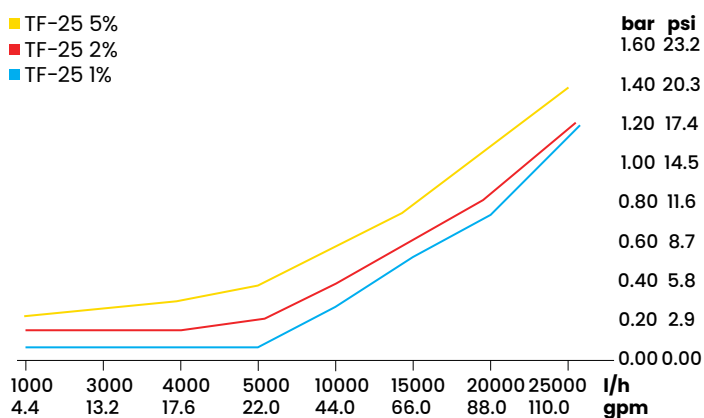


L (Height)	
On/Off	Air Release
Max. 1030 (40.5")	1000 (39.3")
Min. 880 (34.6")	900 (35.4")

Application Range

Dosage Rate %	Flow Rate Range	Pressure Range	Connectors Dia. Thread	Min-Max Injection Rate Per Hour	Suction Tube Dia.	Gross weight std unit
0.1% - 1%	0.2 - 25 m ³ /h	1 - 8 bar	2" BSPT	0.2 - 250 l/h	25 mm	18.5 KG
0.3% - 2.5%	0.2 - 25 m ³ /h	1 - 8 bar	2" BSPT	0.6 - 625 l/h	25 mm	18.5 KG
1% - 5.5%	0.2 - 25 m ³ /h	1 - 8 bar	2" BSPT	2.0 - 1375 l/h	25 mm	18.5 KG

Pressure Loss



Max. injection rate/h

