

MixRite™ Dosing Pumps

5 m³/h MixRite™ TF-5

Technical Information

Water pressure | 1 - 8 bar (14.5 - 116 PSI)
 Flow Rate | 0.1 - 5 m³/h (0.44 - 22 GPM)
 Working temp | 4-40° C (39.2-104° F)
 Coupling | 1" or 32 mm

* Legs available upon request

Available options

Manual
ON/OFF






Hydraulic
ON/OFF

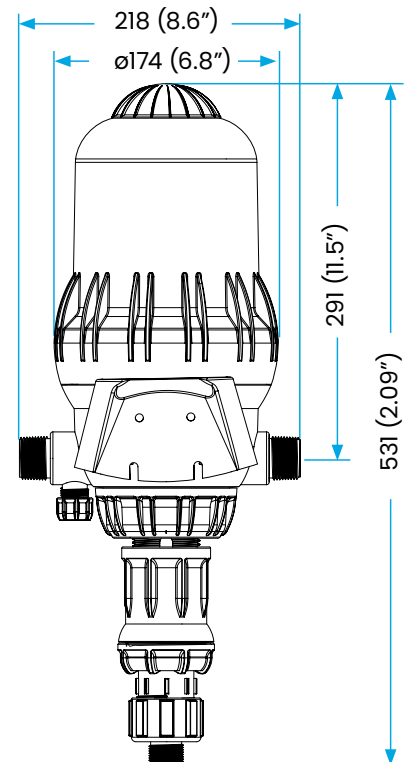


Electric
ON/OFF



Application Color Code

Application	Sleeve Color	TEFEN Code
Irrigation		STD
Livestock		PO
Water Treatment/Chlorination		CL

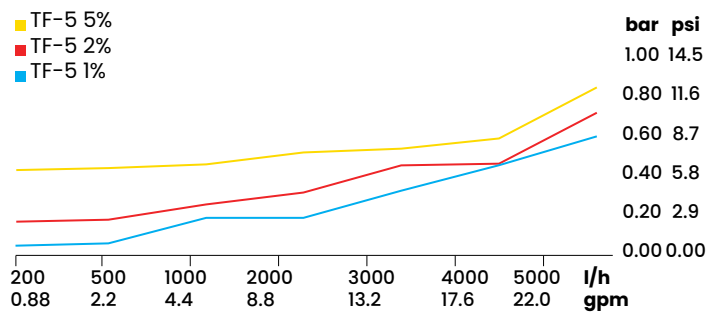


	L (Height)	
	On/Off	Air Release
Max.	680 (26.7")	595 (23.4")
Min.	585 (23")	545 (21.4")

Application Range

Dosage Rate %	Flow Rate Range	Pressure Range	Connectors Dia. Thread	Min-Max Injection Rate Per Hour	Suction Tube Dia.	Gross weight std unit
0.1% - 1%	0.1 - 5 m ³ /h	1 - 8 bar	1" BSPT	0.1 - 50 l/h	16 mm	5 KG
0.2% - 2%	0.1 - 5 m ³ /h	1 - 8 bar	1" BSPT	0.2 - 100 l/h	16 mm	5 KG
0.5% - 5%	0.1 - 5 m ³ /h	1 - 8 bar	1" BSPT	0.5 - 250 l/h	19 mm	5 KG

Pressure Loss



Max. injection rate/h

