

MixRite Dosing Pumps



5 m³/h MixRite TF-5

Technical Information

Water pressure	1 - 8 bar (14.5 - 116 PSI)
Flow Rate	0.1 - 5 m ³ /h (0.44 - 22 GPM)
Working temp	4-40° C (39.2-104° F)
Coupling	1" or 32 mm




* Legs available upon request

Available options

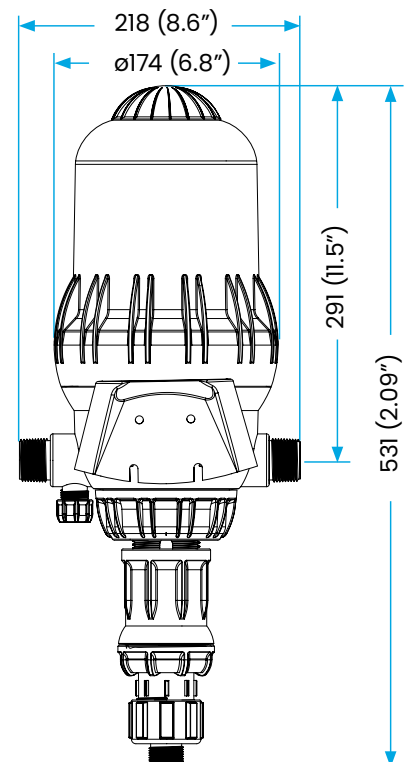
Manual ON/OFF	Hydraulic ON/OFF	Electric ON/OFF
------------------	---------------------	--------------------



Application Color Code

Application	Sleeve Color	TEFEN Code	Seal Material	Spring Material
Irrigation		STD	NBR	SST, Hastelloy
Livestock		PO	EPDM	SST, Hastelloy
Chlorine		CL	Viton	Hastelloy

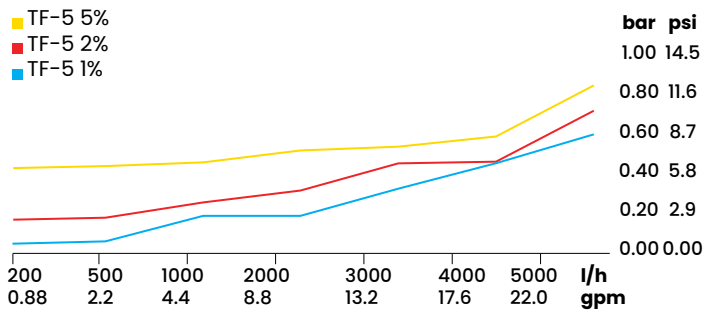
L (Height)	
On/Off	Air Release
Max. 680 (26.7")	595 (23.4")
Min. 585 (23")	545 (21.4")



Application Range

Dosage Rate %	Flow Rate Range	Pressure Range	Connectors Dia. Thread	Min-Max Injection Rate Per Hour	Suction Tube Dia.	Applications	Gross weight std unit
0.1% - 1%	0.1 - 5 m ³ /h	1 - 8 bar	1" BSPT	0.1 - 50 l/h	16 mm	Irrigation / Chlorine / Livestock	5 KG
0.2% - 2%	0.1 - 5 m ³ /h	1 - 8 bar	1" BSPT	0.2 - 100 l/h	16 mm	Irrigation / Chlorine / Livestock	5 KG
0.5% - 5%	0.1 - 5 m ³ /h	1 - 8 bar	1" BSPT	0.5 - 250 l/h	19 mm	Irrigation / Chlorine / Livestock	5 KG

Pressure Loss



Max. injection rate/h

