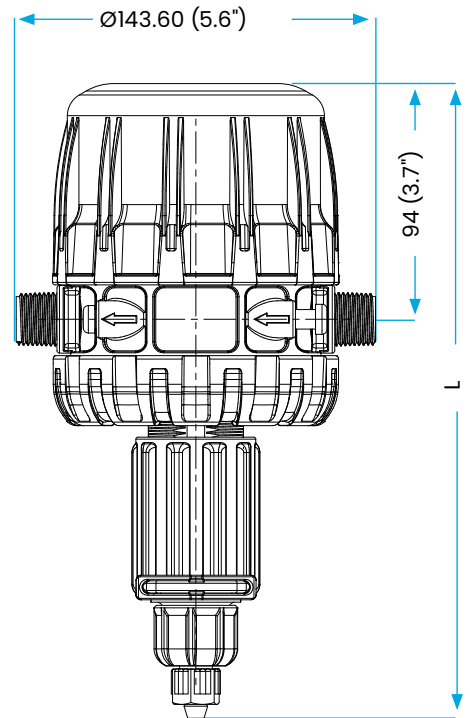


MixRite Dosing Pumps



1 m³/h MixRite 1

Technical Information

Water pressure	0.2 – 8 bar (2.9 – 116 psi)
Flow Rate	20 – 1000 l/h (0.09 – 4.4 GPM)
Working temp	4–40° C (39.2–104° F)
Coupling	3/4"



Application Color Code

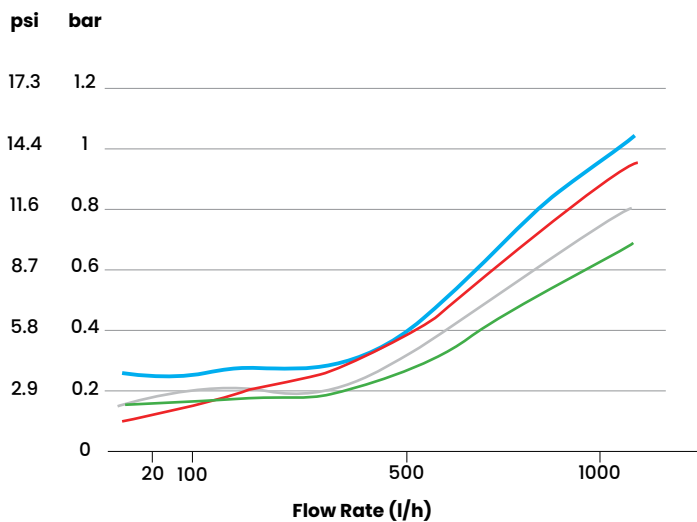
Application	Sleeve Color	TEFEN Code	Seal Material	Spring Material	Model	L
Domestic Landscaping (0.2% fix)		STD	NBR	SST	Fix	212.5 (8.3")
Chlorine / Industry		CL	Viton	Hastelloy	Adjustable	254.0 (10")

Application Range

Dosage Rate %	Flow Rate Range	Pressure Range	Connectors Dia.Thread	Min-Max Injection Rate Per Hour	Suction Tube wDia.	Applications
0.2% Fix	20 - 1000 l/h	0.2 - 8 bar	3/4" BSPT	0.04 - 2 l/h	8 mm	Landscaping
0.1% - 1%	20 - 1000 l/h	0.2 - 8 bar	3/4" BSPT	0.02 - 10 l/h	8 mm	Landscaping / Chlorine / Industry
0.2% - 2%	20 - 1000 l/h	0.2 - 8 bar	3/4" BSPT	0.04 - 20 l/h	8 mm	Landscaping / Chlorine / Industry
0.4% - 4%	20 - 1000 l/h	0.2 - 8 bar	3/4" BSPT	0.08- 40 l/h	10 mm	Landscaping / Chlorine / Industry

Pressure Loss

- 4%
- 2%
- 1%
- Fixed



Max. injection rate/h

Injection Rate
L/h gph

