

# MixRite™ Dosing Pumps

## 10 m<sup>3</sup>/h MixRite™ TF-10

### Technical Information

Water pressure	1 - 8 bar (14.7 - 116 PSI)
Flow Rate	0.1 - 10 m <sup>3</sup> /h (0.44 - 45 GPM)
Working temp	4-40° C (39.2-104° F)
Coupling	1.5" or 50 mm

\* Legs available upon request

### Available options

Manual  
ON/OFF



Hydraulic  
ON/OFF

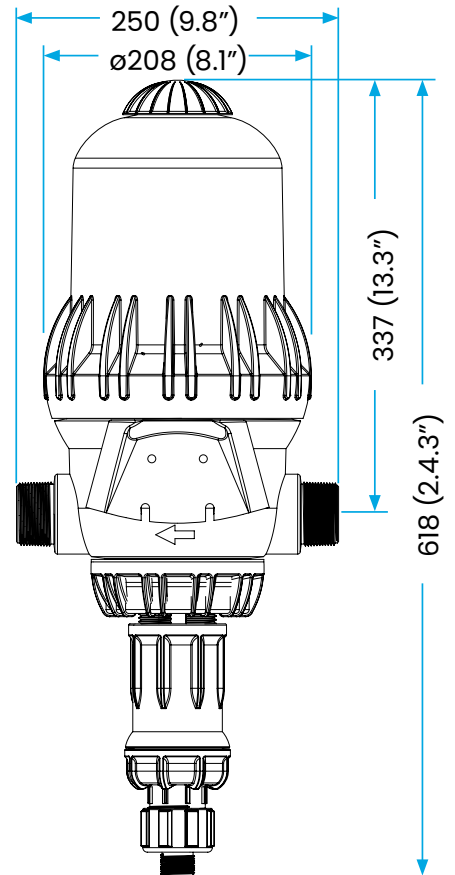


Electric  
ON/OFF



### Application Color Code

Application	Sleeve Color	TEFEN Code
Irrigation		STD
Water Treatment/Chlorination		CL

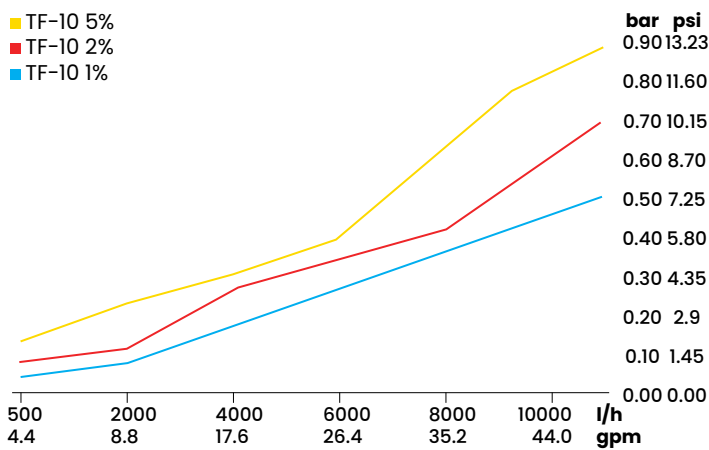


	L (Height)	
	On/Off	Air Release
Max.	760 (29.9")	660 (26")
Min.	720 (28.34")	625 (24.6")

## Application Range

Dosage Rate %	Flow Rate Range	Pressure Range	Connectors Dia. Thread	Min-Max Injection w Rate Per Hour	Suction Tube Dia.	Gross weight std unit
0.1% - 1%	0.1 - 10 m <sup>3</sup> /h	1 - 8 bar	1 1/2" BSPT	0.1 - 100 l/h	19 mm	7.3 KG
0.2% - 2%	0.1 - 10 m <sup>3</sup> /h	1 - 8 bar	1 1/2" BSPT	0.2 - 200 l/h	19 mm	7.3 KG
1% - 5%	0.1 - 10 m <sup>3</sup> /h	1 - 8 bar	1 1/2" BSPT	1 - 500 l/h	19 mm	7.3 KG

## Pressure Loss



## Max. injection rate/h

