

# MixRite Animal health applications

Starting 7L/H | From day old to maturity



 **tefen**  
Flow & Dosing Solutions

Keep your business flowing.  
Tefenitely.

# MixRite Animal Health Applications

The MixRite dosing pumps for Animal Health ensure dosing precision, repeatability, and uniformity of treatments injected into the drinking water. This method of distribution is ideal, starting from the first day of the flock.

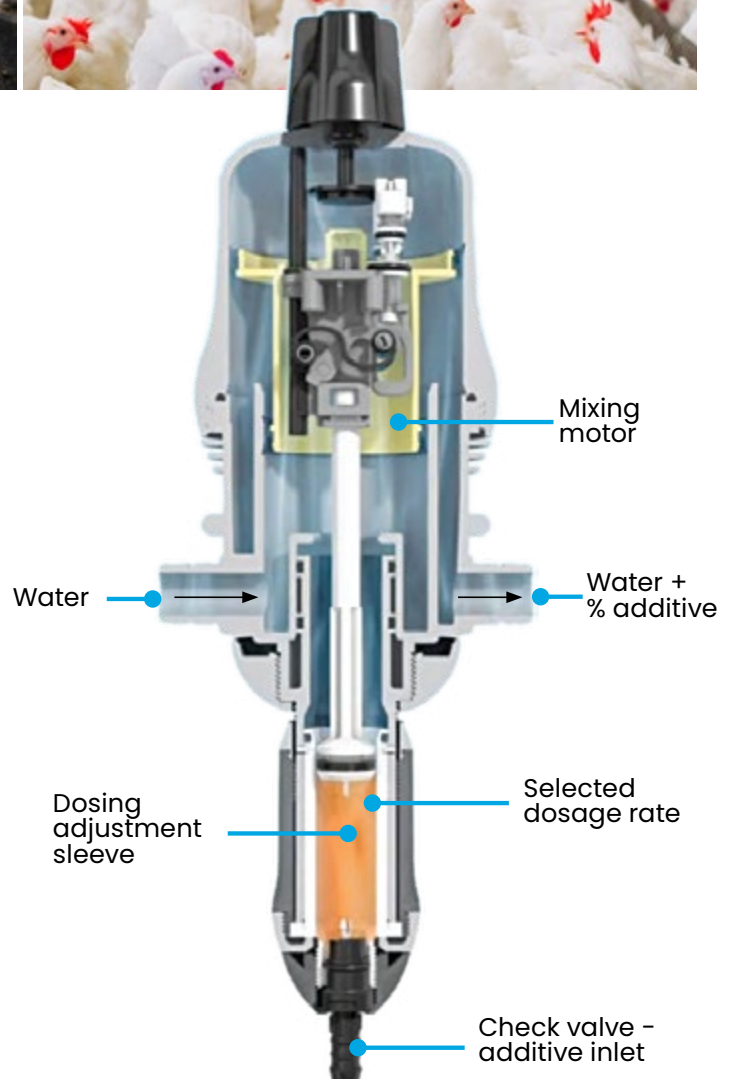
The proportionality of MixRite dosing pumps guarantees the correct dose independently by pressure and water flow variations (animal consumption).



## Features & Benefits

- Excellent dosing repeatability and homogeneity.
- Mixes medication and water precisely
- The dosage can be adjusted easily and quickly
- Simple maintenance
- Key internal parts are from the highest quality material available

The unit will automatically start working when water is flowing in and will continue until the flow will stop; it is possible to control the suction (intake) operation by using the models with the On/Off system.



# Products Range



Available with manual On/Off cover

1 m<sup>3</sup>/h



MixRite 1  
CL

2.5 m<sup>3</sup>/h



MixRite 2.5  
PO



MixRite 2.5  
Internal Bypass

3.5 m<sup>3</sup>/h



MixRite 3.5  
PVDF



MixRite 3.5  
PO



MixRite 3.5  
CL

TF-5 (5 m<sup>3</sup>/h)







MixRite TF5-  
PO

# MixRite Animal Health Applications



## Application Color Code

Application	Sleeve Color	TEFEN Code
Livestock		PO
Water Treatment/ Chlorination		CL
Bypass		IBP
Acidification		PVDF

## Technical Information

Model	Flow Rate Range	Pressure Range	Dosage Rate %	Connectors Diameter Thread
<b>MixRite 1</b>	20-1000 l/h	0.2-8 bar	0.2% - 2%	3/4" BSPT
	20-1000 l/h	0.2-8 bar	0.4% - 4%	3/4" BSPT
<b>MixRite 2.5</b>	7-2500 L/H	0.2-8 bar	0.1% - 0.9%	3/4" BSPT
	7-2500 L/H	0.2 - 8 bar	0.3% - 2%	3/4" BSPT
	7-2500 L/H	0.2 - 8 bar	0.4% - 4%	3/4" BSPT
<b>MixRite 3.5</b>	10-3500 L/H	0.2-8 bar	0.3% - 2%	3/4" BSPT
	10-3500 L/H	0.2-8 bar	0.5% - 5%	3/4" BSPT
	50-3500 L/H	0.2-8 bar	1% - 10%	3/4" BSPT
<b>MixRite TF-5</b>	100-5000 L/H	1 - 8 bar	0.5% - 5%	1", BSPT

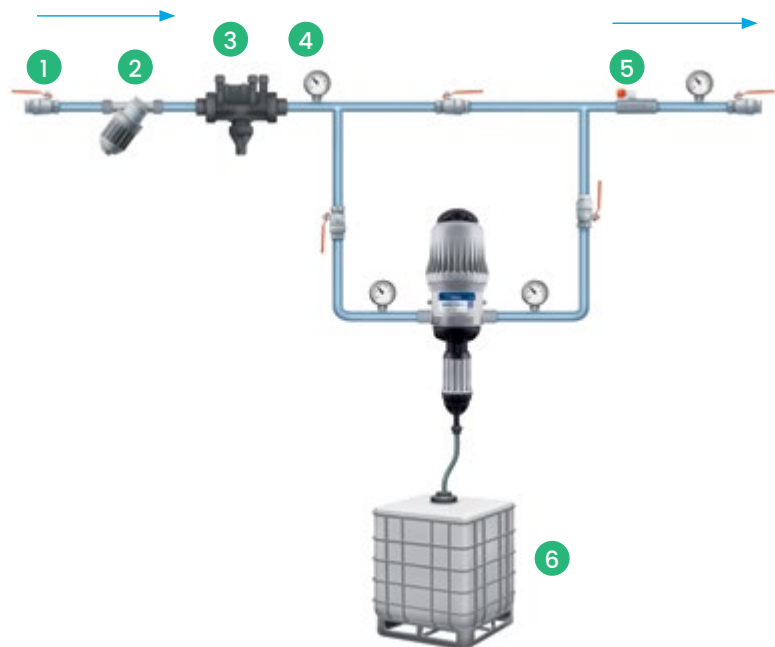
## Choosing the right MixRite medicator size

Mixrite 2.5 0.3-2% / 0.4-4%	Mixrite 3.5 0.3-2%	Mixrite TF-5 0.1-1%
* 8,000 to 50,000 Birds	* Up to 70,000 Birds	* More than 70,000 Birds

\*Birds size up to 4 kg

## Typical installation for Animal Health application

1. Valve
2. Filter
3. Backflow Preventer
4. Manometer
5. Anti Siphon Valve
6. Additive Tank



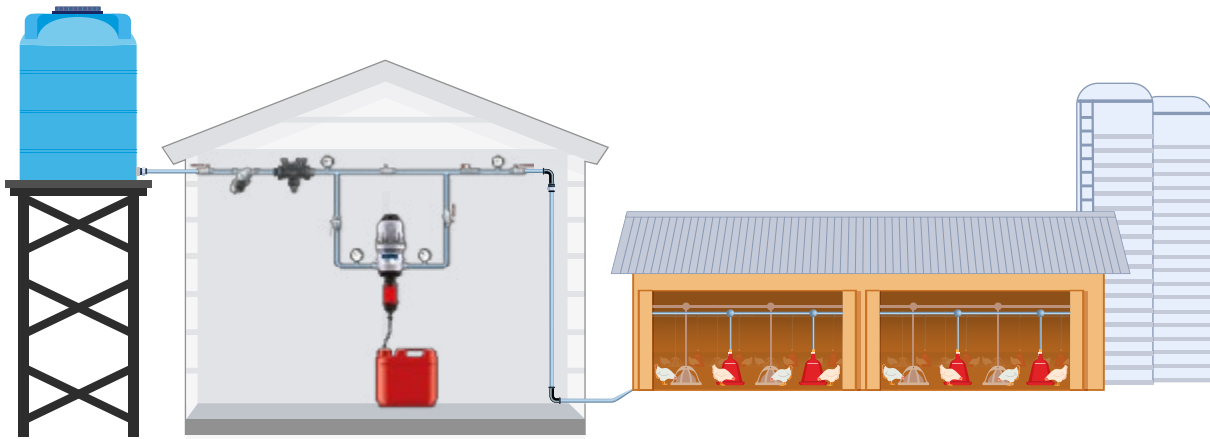
## Applications

In a variety of animal husbandry contexts including poultry, pigs, cattle, rabbits, and more, the MixRite proportional dosing pumps provide accurate dosing of additives for treatments such as:

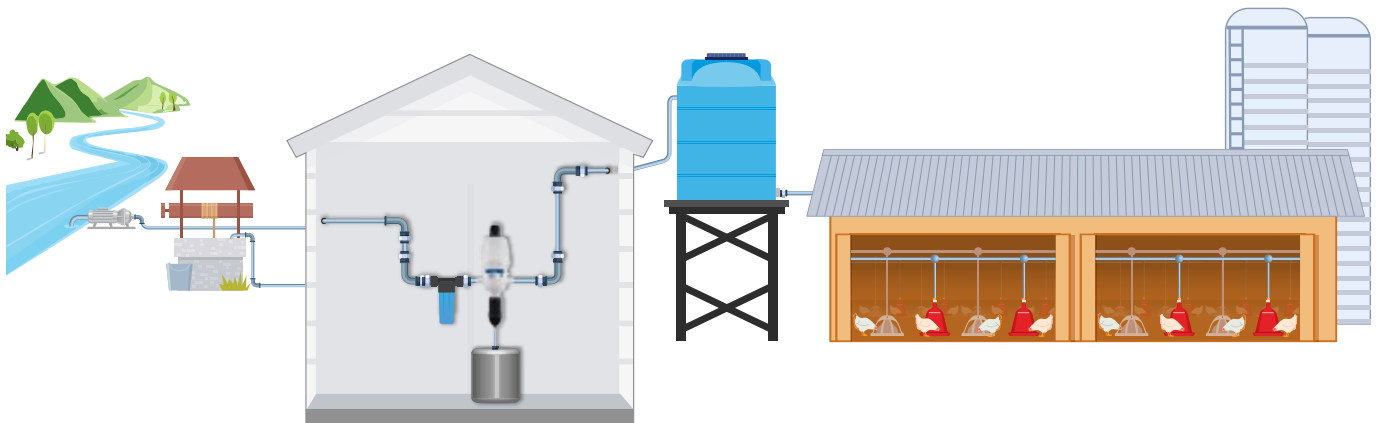
- Medications, Vaccines, Vitamins, Minerals & Supplements
- Water Treatment
- Climate Control & Dusting
- Disinfectantion & Hygiene

# MixRite Animal Health Applications

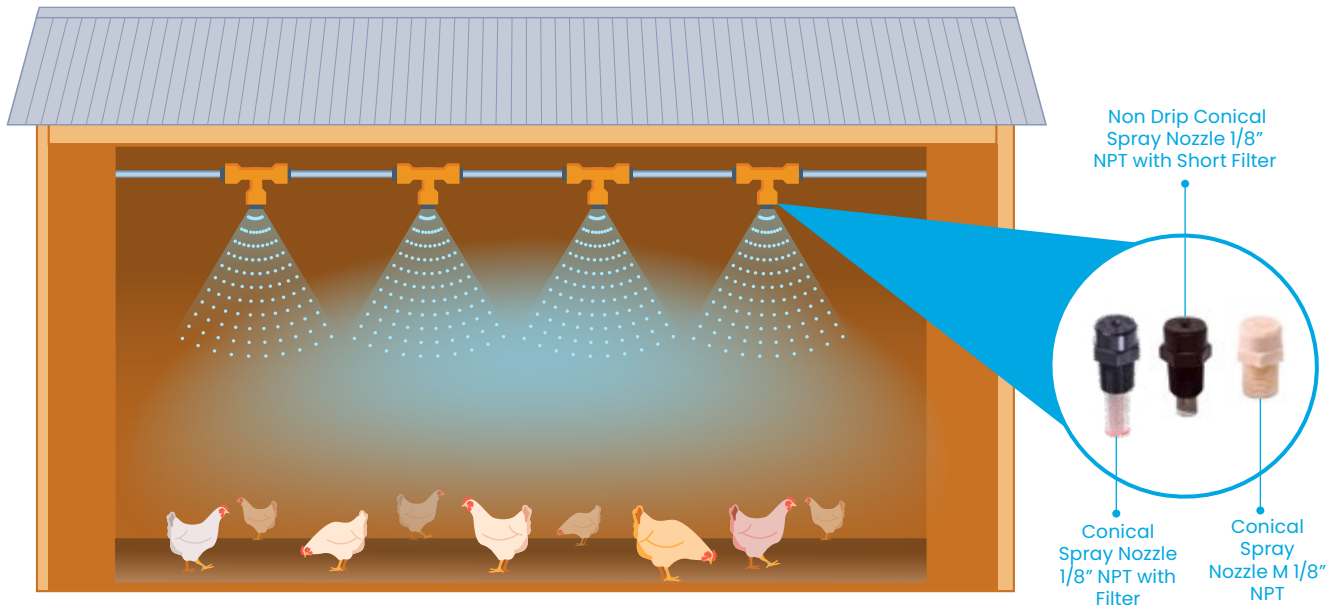
## Medications, Vaccines, Vitamins, Minerals & Supplements



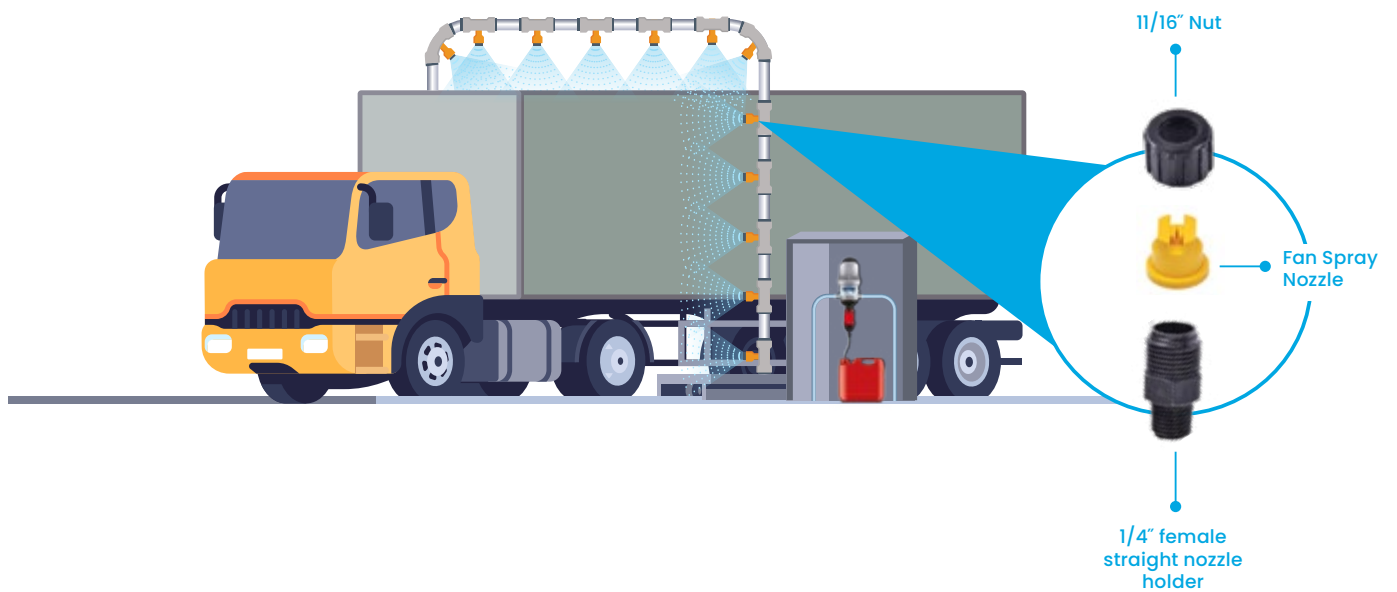
## Water Treatment



## Climate Control & Dusting



## Disinfection & Hygiene





**Tefen Flow & Dosing Technologies Ltd.**

Kibbutz Nahsholim, 3081500 Israel | Tel. +972-4-6395554 | [info@tefentech.com](mailto:info@tefentech.com) | [tefentech.com](http://tefentech.com)

For the removal of any doubt, this documents does not constitute an offer on the part of Tefen and/or any undertaking on its part. Tefen may change the content of this document and/or the technical specifications of the products and/or add and/or remove products and/or change prices and/or any terms and conditions specified in this document at any time and upon its sole discretion without any prior notice.



ISO 9001  
2015 certified