

Start Them Right from Day One

MixRite™ LF-1000 Reliable Dosing for chicks at Ultra-Low Water Flow (from 4 L/h)



Designed for the first days of the flock cycle, when water consumption is extremely low and dosing accuracy is critical.

Benefits

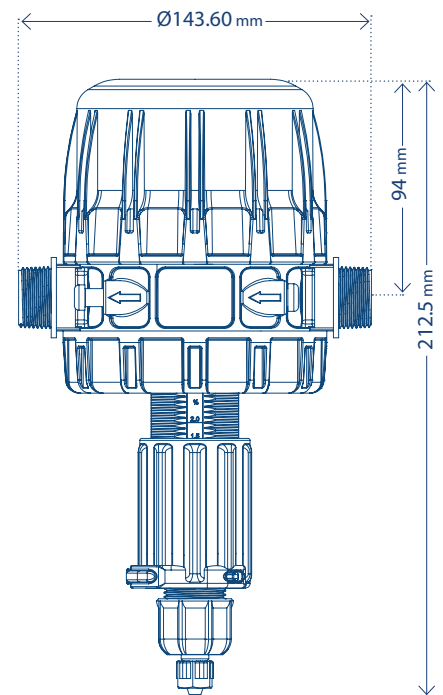
- Stable operation from 4 L/h – designed for the extremely low water consumption typical in the first days of the flock cycle
- Easy to operate with minimal maintenance
- Hydraulic dosing pump for reliable operation without electricity

✓ **PATENT PENDING**

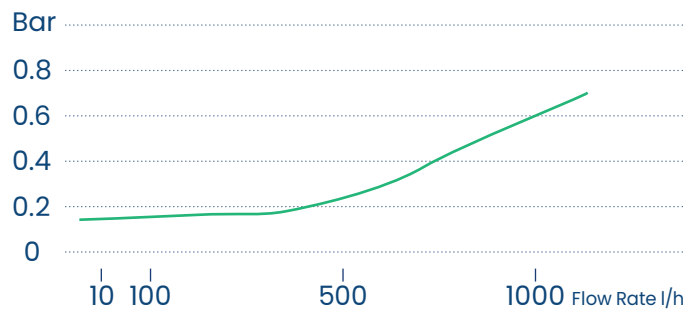
Innovative low-flow dosing technology

Technical Information

Dosing Rate %	0.2% - 2%
Water Pressure	0.2-4 Bar
Flow Rate	4-1000 l/h
Working Temperature	4-40°C
Coupling	3/4" BSPT
Min-Max Injection Rate Per Hour	0.008-20 l/h
Suction Tube Diameter	8mm



Pressure Loss



Tefen Flow & Dosing Technologies Ltd.

Kubbutz Nahsholim, 3081500 Israel | Tel. 972 4 6395554 | tefentech.com