

MixRite™

Animal health applications

Starting 4L/H | From day old to maturity



 **tefen**
Flow & Dosing Solutions

Keep your business flowing.
Tefenitely.

MixRite™ Animal Health Applications

The MixRite dosing pumps for Animal Health ensure dosing precision, repeatability, and uniformity of treatments injected into the drinking water. This method of distribution is ideal, starting from the first day of the flock.

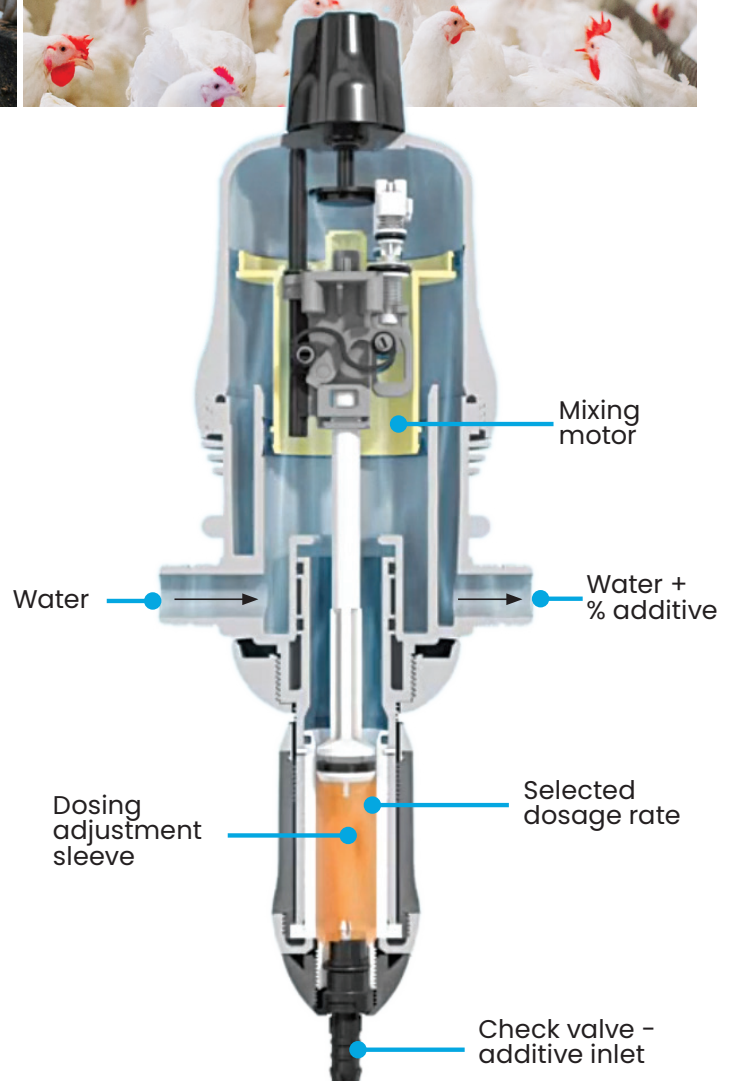
The proportionality of MixRite™ dosing pumps guarantees the correct dose independently by pressure and water flow variations (animal consumption).



Advantages

- ▶ Hydraulic, volumetric and non-electric
- ▶ Dosing proportional to water flow rate
- ▶ Excellent dosing repeatability and homogeneity
- ▶ Easy dosing adjustment
- ▶ Easy to install, operate and maintain

The unit will automatically start working when water is flowing in and will continue until the flow will stop; it is possible to control the suction (intake) operation by using the models with the On/Off system.



Products Range



Available with manual On/Off cover

1 m³/h



MixRite™
LF-1000

2.5 m³/h



MixRite™ 2.5
PO



MixRite™ 2.5
Internal Bypass

3.5 m³/h



MixRite™ 3.5
PVDF



MixRite™ 3.5
PO



MixRite™ 3.5
CL

TF-5 (5 m³/h)







MixRite™
TF5-PO

MixRite™ Animal Health Applications



Application Color Code

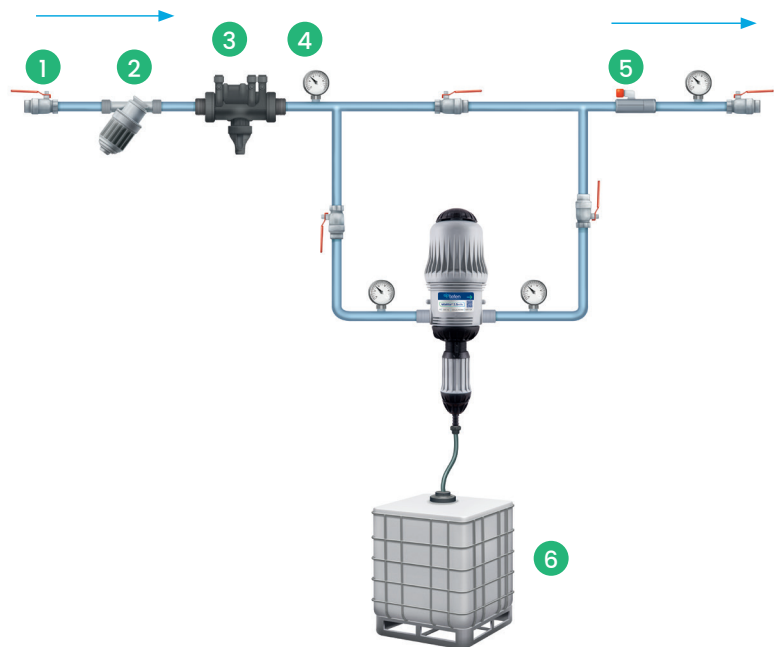
Application	Sleeve Color	TEFEN Code
Livestock		PO
Water Treatment/ Chlorination		CL
Bypass		IBP
Acidification		PVDF

Technical Information

Model	Flow Rate Range	Pressure Range	Dosage Rate %	Connectors Diameter Thread
MixRite™ LF-1000	4-1000 l/h	0.2-4 bar	0.2% - 2%	3/4" BSPT
	7-2500 L/H	0.2-8 bar	0.1% - 0.9%	3/4" BSPT
MixRite™ 2.5	7-2500 L/H	0.2 - 8 bar	0.3% - 2%	3/4" BSPT
	7-2500 L/H	0.2 - 8 bar	0.4% - 4%	3/4" BSPT
MixRite™ 3.5	10-3500 L/H	0.2-8 bar	0.3% - 2%	3/4" BSPT
	10-3500 L/H	0.2-8 bar	0.5% - 5%	3/4" BSPT
	50-3500 L/H	0.2-8 bar	1% - 10%	3/4" BSPT
MixRite™ TF-5	100-5000 L/H	1 - 8 bar	0.5% - 5%	1", BSPT

Typical installation for Animal Health application

1. Valve
2. Filter
3. Backflow Preventer
4. Manometer
5. Anti Siphon Valve
6. Additive Tank



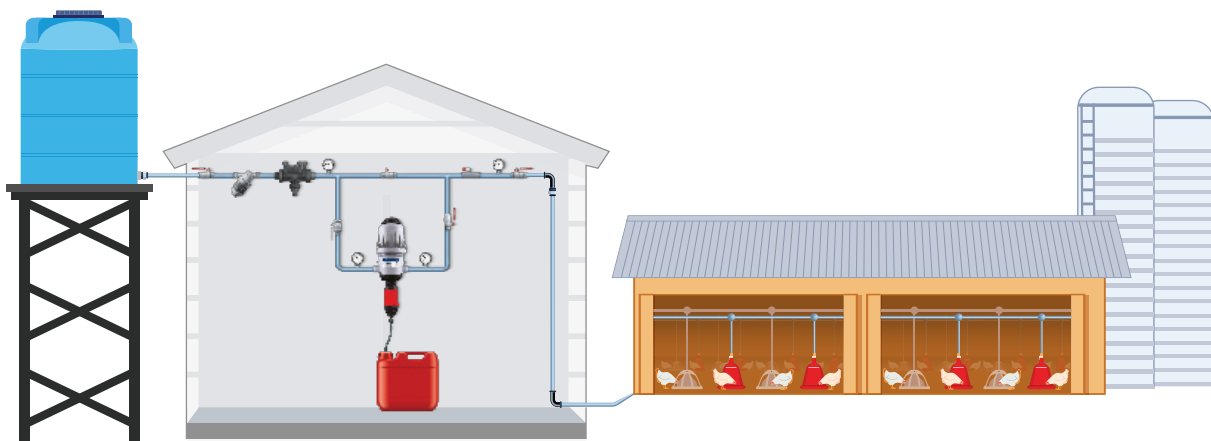
Applications

In a variety of animal husbandry contexts including poultry, pigs, cattle, rabbits, and more, the MixRite™ proportional dosing pumps provide accurate dosing of additives for treatments such as:

- ▶ Vitamins, Minerals, Supplements, Medications & Vaccines
- ▶ Disinfectantion & Hygiene
- ▶ Water Treatment
- ▶ Climate Control & Dusting

MixRite™ Animal Health Applications

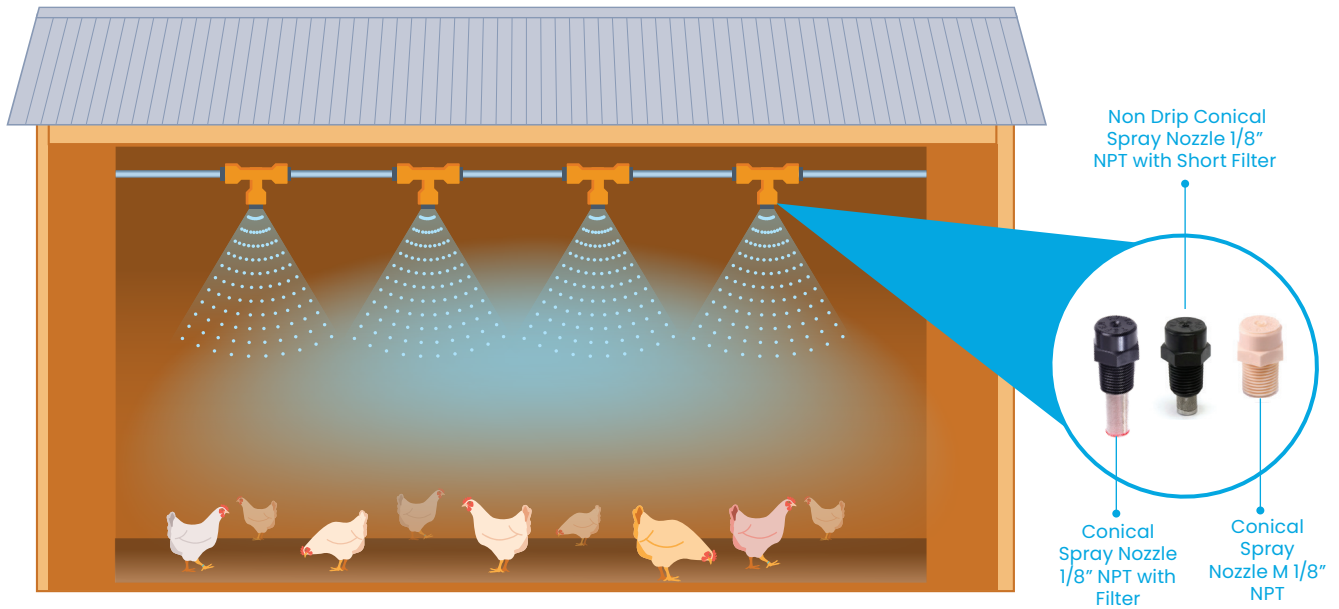
Medications, Vaccines, Vitamins, Minerals & Supplements



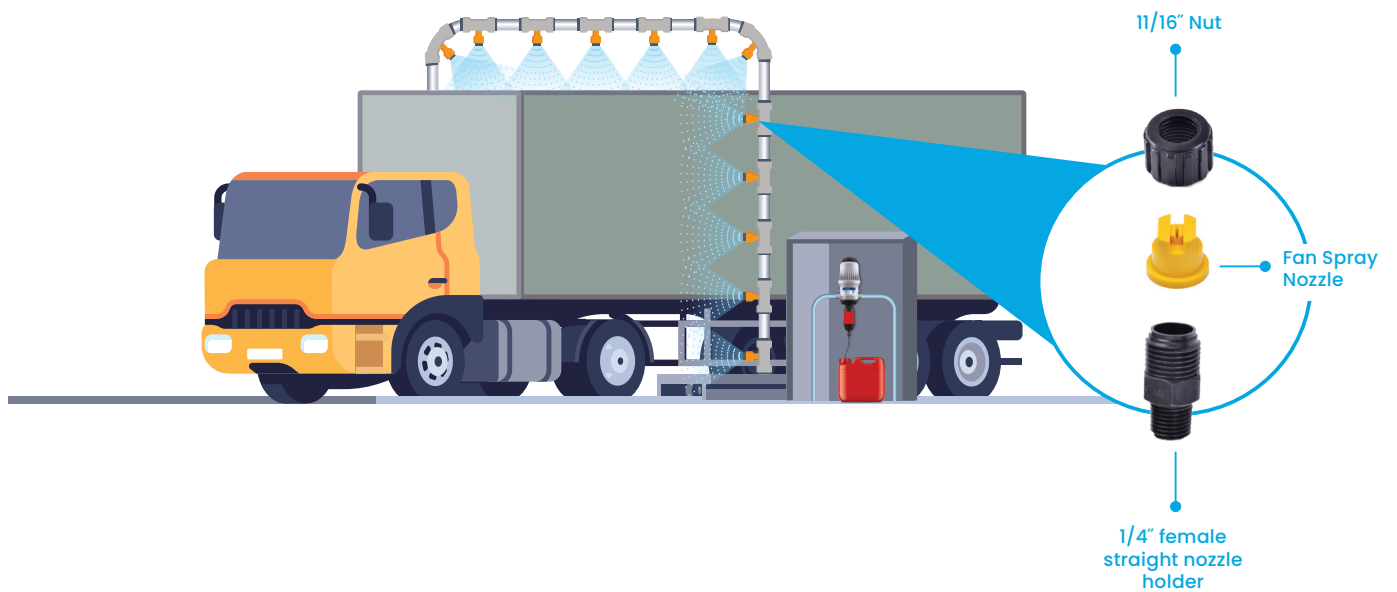
Water Treatment



Climate Control & Dusting



Disinfection & Hygiene





Tefen Flow & Dosing Technologies Ltd.

Kibbutz Nahsholim, 3081500 Israel | Tel. +972-4-6395554 | info@tefentech.com | tefentech.com

For the removal of any doubt, this documents does not constitute an offer on the part of Tefen and/or any undertaking on its part. Tefen may change the content of this document and/or the technical specifications of the products and/or add and/or remove products and/or change prices and/or any terms and conditions specified in this document at any time and upon its sole discretion without any prior notice.



ISO 9001
2015 certified