

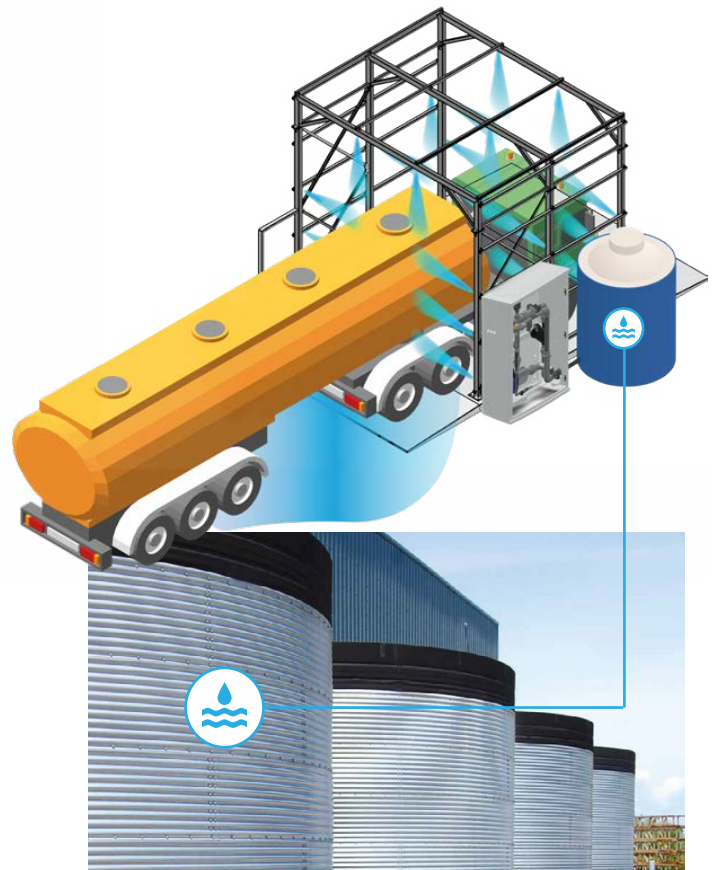
DISINFECTION GATE SOLUTIONS

Ensure your livestock's health and wellbeing & benefit from a cleaner environment with Tefen Disinfection Gate Solutions. Plug & Play.



Features and Benefits

- ✓ Reduces the infiltration of diseases and viruses into the customer's farm
- ✓ Efficiently operated & does not require exiting the vehicle
- ✓ Automatic disinfectant injection when the vehicle passes through the disinfection gate
- ✓ Uniformity ensured throughout the operation
- ✓ Highest quality standards under ISO9001
- ✓ Each system is tested under static and dynamic pressure in the company's test laboratory
- ✓ User-friendly and easy to install
- ✓ Waterproof and dustproof fiberglass cover that can easily be fixed to a concrete surface



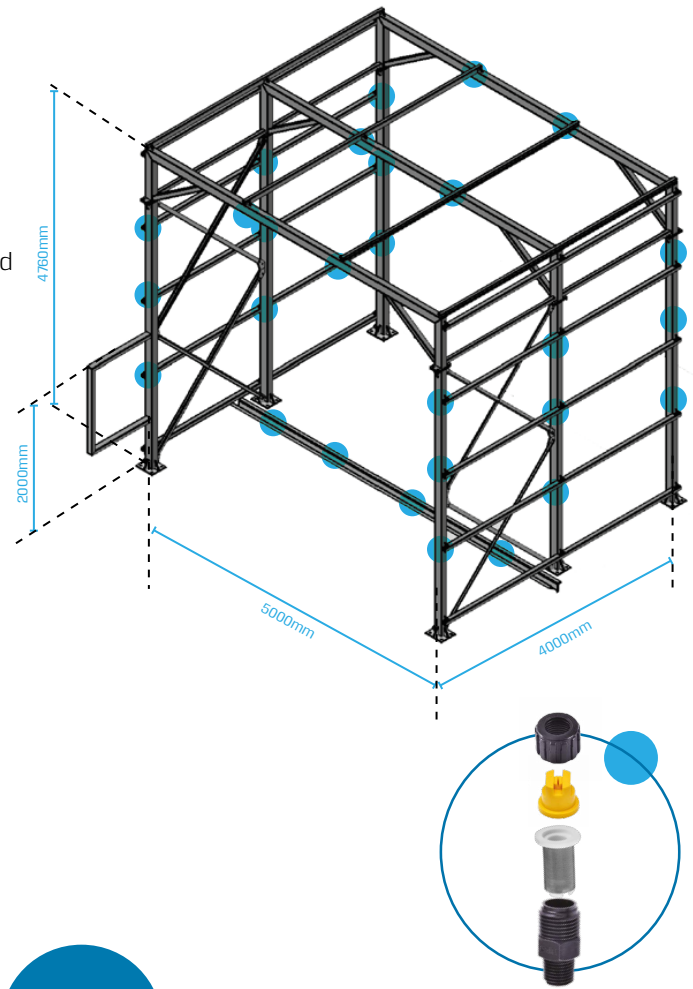
All the advantages in one place

Tefen -
so you can comply with strict health
standards and regulations.

Disinfection Gate

Technical Data & Specifications

Gate Structure	Galvanized Steel - no welding required
Nozzles	Flow Rate: 1.2 l/m Quantity: 25 pc. per arch 75 pc. per full system
1 Arch Flow Capacity	30 l/m per arch
Full System Flow Capacity	90 l/m = 3 arches
Electrical Pump	1*230V/50-60Hz, 1.5kw
MixRite Pump	Mixrite 0.5% - 5%
Working Pressure	2 bar



Nozzles
Place the nozzles on the floor ramp to ensure all areas of the vehicle are thoroughly disinfected.

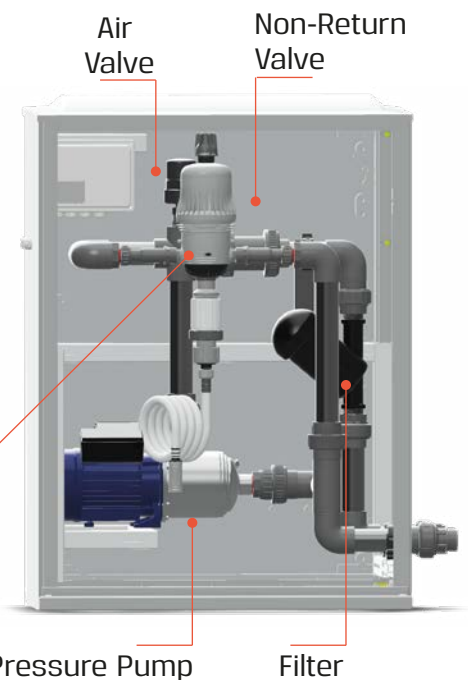
Plug & Play Dosing Unit

Dosing Unit Configuration MixRite 3.5 Based System

Electric Requirements	Input/Output	System Measurements
1 x 230V / 10A	1 1/2" BSP Male	w = 80cm h = 100cm d = 40cm w = 45 kg

Can be used as a separate unit for an existing gate.
Easy to connect - Plug & Play!

MixRite Dosing Pump



Electrical Pressure Pump

Filter



Kibbutz Nahsholim 3081500 Israel | www.tefentech.com
Tel. 972 4 6395944 | Fax. 972 4 6390813 | info@tefentech.com

ISO 9001
2015 certified

