

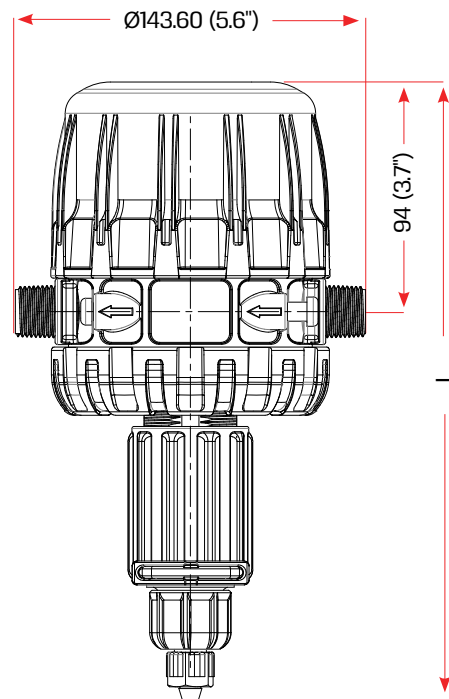
MixRite DOSING PUMPS

1 m³/h

MixRite 1

Technical Information

Water pressure	0.2 - 8 bar (2.9 - 116 psi)
Flow Rate	20 - 1000 l/h (0.09 - 4.4 GPM)
Working temp	4-40° C (39.2-104° F)
Coupling	3/4"



Model	L
Fix	212.5 (8.3")
Adjustable	254.0 (10")



Application Color Code

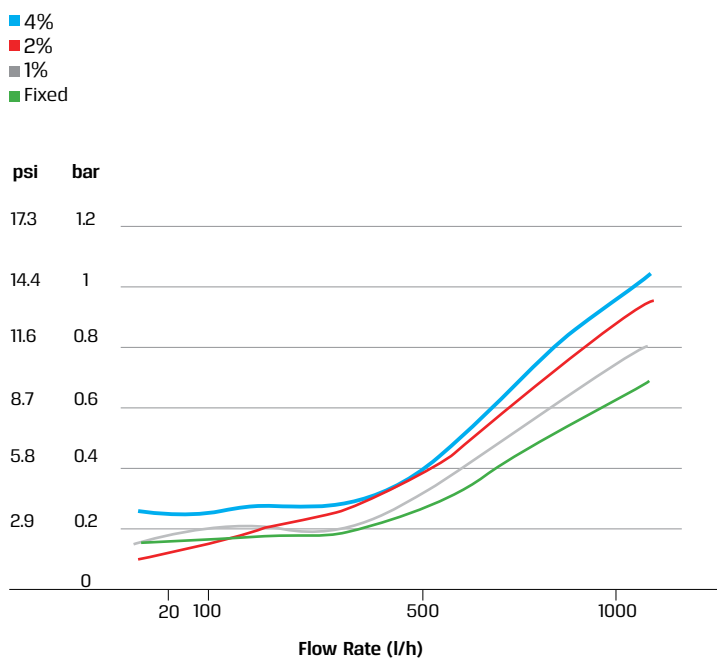
Application	Sleeve Color	TEFEN Code	Seal Material	Spring Material
Domestic Landscaping (0.2% fix)		AG	NBR	SST
Chlorine / Industry		CL	Viton	Hastelloy



Application Range

Dosage Rate %	Flow Rate Range	Pressure Range	Connectors Dia.Thread	Min-Max Injection Rate Per Hour	Suction Tube Dia.	Applications
0.2% Fix	20 - 1000 l/h	0.2 - 8 bar	3/4" BSPT	0.04 - 2 l/h	8 mm	Landscaping
0.1% - 1%	20 - 1000 l/h	0.2 - 8 bar	3/4" BSPT	0.02 - 10 l/h	8 mm	Landscaping / Chlorine / Industry
0.2% - 2%	20 - 1000 l/h	0.2 - 8 bar	3/4" BSPT	0.04 - 20 l/h	8 mm	Landscaping / Chlorine / Industry
0.4% - 4%	20 - 1000 l/h	0.2 - 8 bar	3/4" BSPT	0.08- 40 l/h	10 mm	Landscaping / Chlorine / Industry

Pressure Loss



Max. injection rate/h

