

MixRite™ Dosing Pumps

2.5 m³/h MixRite™ 2.5

Technical Information

Water pressure | 0.2 – 8 bar (2.9 – 116 psi)
 Flow Rate | 10 – 2500 l/h (0.044 – 11 GPM)
 Working temp | 4-40° C (39.2-104° F)
 Coupling | 3/4"

* Legs available upon request

Available options

Manual ON/OFF Hydraulic ON/OFF Electric ON/OFF

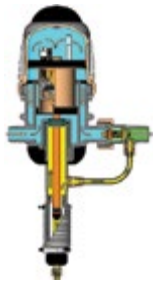



By Pass models



Internal bypass

*Yellow sleeve

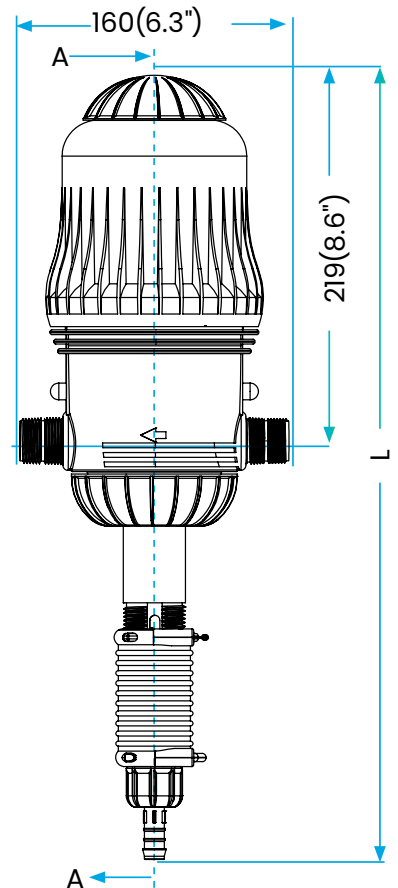


External bypass

*Yellow sleeve

Application Color Code

Application	Sleeve Color	TEFEN Code
Irrigation	Grey	STD
Livestock	Red	PO
Acidification	White	PVDF
Water Treatment/ Chlorination	Purple	CL
Industry	Black	C
Car Wash	Cyan	CW
By-Pass	Yellow	I / B



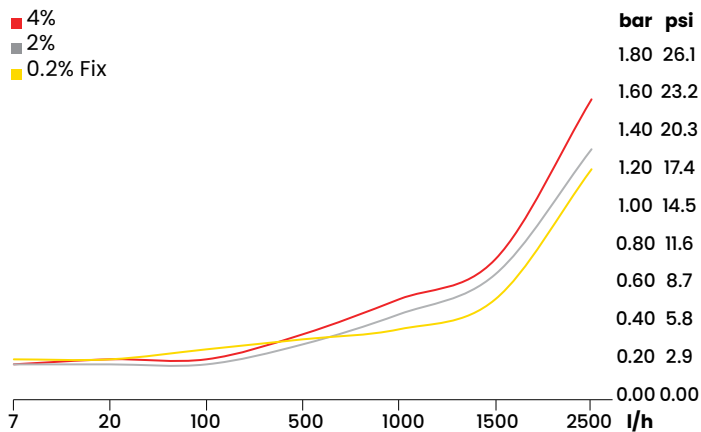
	L (Height)	
	On/Off	Air Release
Max.	528 (20.7")	496 (19.5")
Min.	497 (19.5")	457 (17.9")

Application Range

Dosage Rate %	Flow Rate Range	Pressure Range	Connectors Dia. Thread	Min-Max Injection Rate Per Hour	Suction Tube Dia.	Gross weight std unit
0.2% fix	10 - 2500 l/h	0.2 - 8 bar	3/4" BSPT	0.02 - 5 l/h	8 mm	1.4 KG
0.8% fix	10 - 2500 l/h	0.2 - 8 bar	3/4" BSPT	0.08 - 20 l/h	10 mm	1.5 KG
1% fix	10 - 2500 l/h	0.2 - 8 bar	3/4" BSPT	0.01 - 25 l/h	10 mm	1.8 KG
0.1% - 0.9%	10 - 2500 l/h	0.2 - 8 bar	3/4" BSPT	0.01 - 22.5 l/h	8 mm	1.8 KG
0.3% - 2%	10 - 2500 l/h	0.2 - 8 bar	3/4" BSPT	0.03 - 50 l/h	10 mm	1.8 KG
0.4% - 4%	10 - 2500 l/h	0.2 - 8 bar	3/4" BSPT	0.04 - 100 l/h	16 mm	1.8 KG
0.1% - 0.9% bypass	20 - 2500 l/h	0.2 - 8 bar	3/4" BSPT	0.02 - 22.5 l/h	8 mm	1.9 KG
0.3% - 2% bypass	20 - 2500 l/h	0.2 - 8 bar	3/4" BSPT	0.06 - 50 l/h	10 mm	1.9 KG
0.4% - 4% bypass	20 - 2500 l/h	0.2 - 8 bar	3/4" BSPT	0.08 - 100 l/h	16 mm	1.9 KG
0.1% - 0.9% Internal bypass	20 - 2500 l/h	0.2 - 8 bar	3/4" BSPT	0.02 - 22.5 l/h	8 mm	1.9 KG
0.3% - 2% Internal bypass	20 - 2500 l/h	0.2 - 8 bar	3/4" BSPT	0.06 - 50 l/h	10 mm	1.9 KG
0.4% - 4% Internal bypass	20 - 2500 l/h	0.2 - 8 bar	3/4" BSPT	0.08 - 100 l/h	16 mm	1.9 KG

* Low flow 7 l/h available in P0 model

Pressure Loss



Max. injection rate/h

