

# MixRite™ Dosing Pumps

**3.5 m<sup>3</sup>/h**

**MixRite™ 3.5**

## Technical Information

Water pressure | 0.2 – 8 bar (2.9 – 116 psi)  
 Flow Rate | 10 – 3500 l/h (0.04 – 15.4 GPM)  
 Working temp | 4-40° C (39.2-104° F)  
 Coupling | 3/4"

\* Legs available upon request

## Available options

Manual ON/OFF    Hydraulic ON/OFF    Electric ON/OFF



## By Pass models

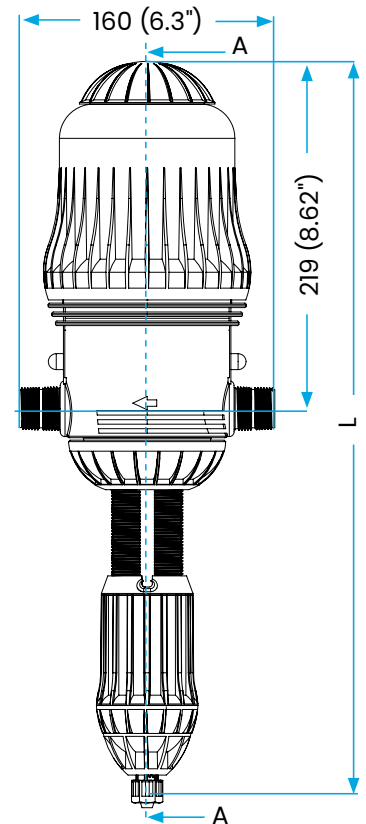


Internal bypass

\*Yellow sleeve

## Application Color Code

Application	Sleeve Color	TEFEN Code
Irrigation	Grey	STD
Livestock	Red	PO
Acidification	White	PVDF
Water Treatment/Chlorination	Purple	CL
Industry	Black	C
Car Wash	Cyan	CW
By-Pass	Yellow	I / B

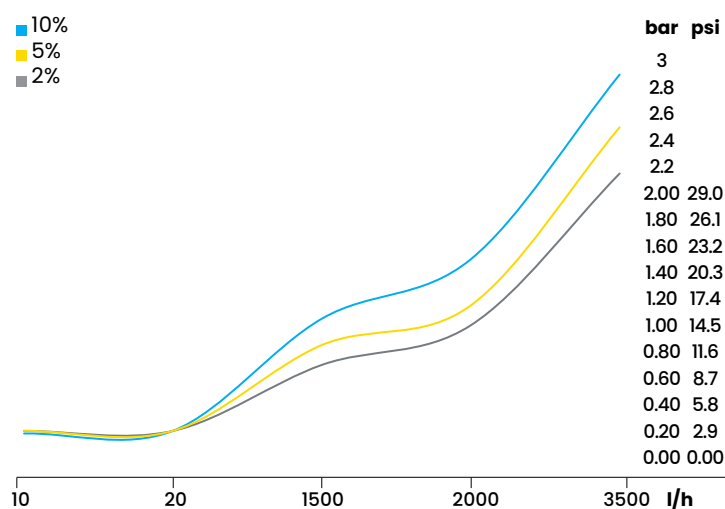


L (Height)		
	On/Off	Air Release
Max.	551 (21.7")	486 (19.1")
Min.	471 (18.5")	447 (17.6")

## Application Range

Dosage Rate %	Flow Rate Range	Pressure Range	Connectors Dia. Thread	Min-Max Injection Rate Per Hour	Suction Tube Dia.	Gross weight std unit
0.03% - 0.2%	10-3500 l/h	0.2 - 8 bar	3/4" BSPT	0.003 -7 l/h	8 mm	1.9 KG
0.1% - 0.9%	10-3500 l/h	0.2 - 8 bar	3/4" BSPT	0.01 -31.5 l/h	8 mm	1.9 KG
0.3% - 2%	10-3500 l/h	0.2 - 8 bar	3/4" BSPT	0.03 - 70 l/h	10 mm	1.9 KG
0.5% - 5%	10-3500 l/h	0.2 - 8 bar	3/4" BSPT	0.05 - 175 l/h	16 mm	1.9 KG
1% - 10%	50-3500 l/h	0.2 - 8 bar	3/4" BSPT	0.5 - 350 l/h	19 mm	3.6 KG
1% - 10% I.B.P	50-3500 l/h	0.2 - 8 bar	3/4" BSPT	0.5 - 350 l/h	19 mm	3.6 KG

## Pressure Loss



## Max. injection rate/h

