

MixRite DOSING PUMPS

25 m³/h

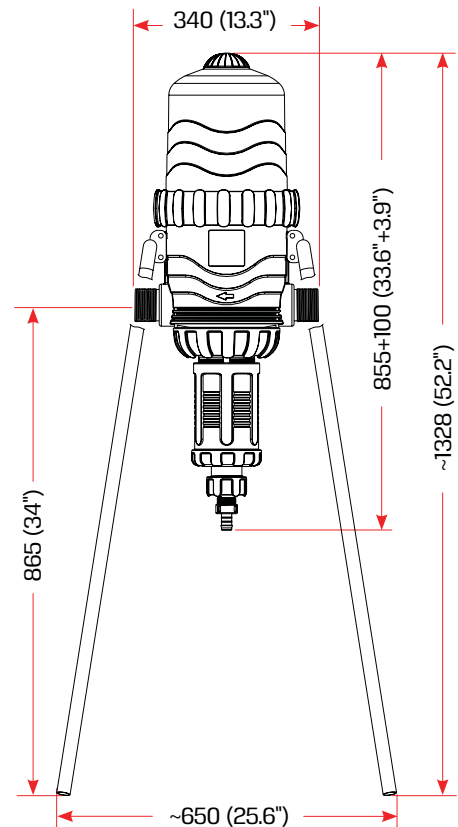
MixRite TF-25

Available options





Technical Information

Water pressure | 1 - 8 bar (14.7 - 120 PSI)
 Flow Rate | 0.2 - 25 m³/h (0.9-110 GPM)
 Working temp | 4-40° C (39.2-104° F)
 Coupling | 2" or 63 mm
 * Legs - Standard supply



	L (Height)	
	On/Off	Air Release
Max.	1030 (40.5")	1000 (39.3")
Min.	880 (34.6")	900 (35.4")

Application Color Code

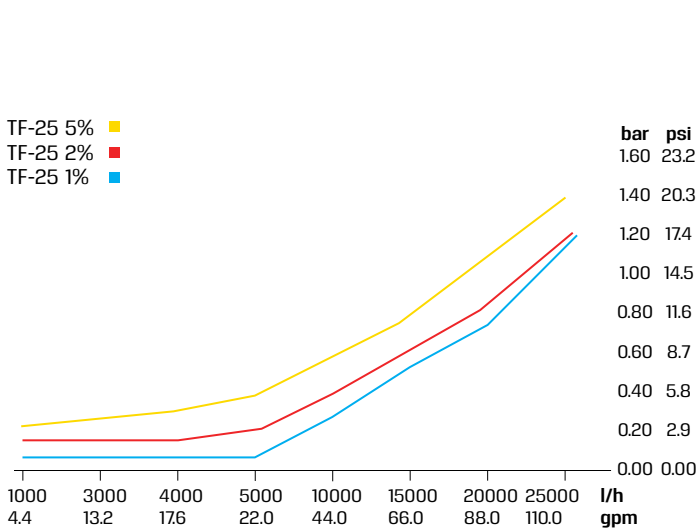
Application	Sleeve Color	TEFEN Code	Seal Material	Spring Material
Irrigation		AG	NBR	SST, Hastelloy
Chlorine		CL	Viton	Hastelloy



Application Range

Dosage Rate %	Flow Rate Range	Pressure Range	Connectors Dia. Thread	Min-Max Injection Rate Per Hour	Suction Tube Dia.	Applications	Gross weight std unit
0.1% - 1%	0.2 - 25 m³/h	1 - 8 bar	2" BSPT	0.2 - 250 l/h	25 mm	Irrigation / Chlorine / Livestock	18.5 KG
0.3% - 2.5%	0.2 - 25 m³/h	1 - 8 bar	2" BSPT	0.6 - 625 l/h	25 mm	Irrigation / Chlorine / Livestock	18.5 KG
1% - 5.5%	0.2 - 25 m³/h	1 - 8 bar	2" BSPT	2.0 - 1375 l/h	25 mm	Irrigation / Chlorine / Livestock	18.5 KG

Pressure Loss



Max. injection rate/h

