

Tefen Swivel

Tefen's SWIVEL is a rotatable fitting designed to prevent torsion of hose pipes and tubes and simplify their assembly.

Tefen Swivels are recommended for clean industries, including medical, food industry, sanitation, water treatment and more.

Please contact us at info@tefentech.com to receive our complete catalog.

Advantages

- ✓ Suits aggressive media
- ✓ Simplifies assembly process
- ✓ Made from high quality raw material
- ✓ Prevents leakages
- ✓ Provides easy and flexible operation
- ✓ Reduces tube bending radius
- ✓ Increases time efficiency
- ✓ Reliable and durable
- ✓ Extended life span compared to existing alternative solutions

PVDF



Reinforced Polypropylene



Technical Info



Working pressure
Up to 14 BAR
(200 psi) at 20 °C



Fittings' dimensions
refer to tube ID or OD,
with respect to the
common application

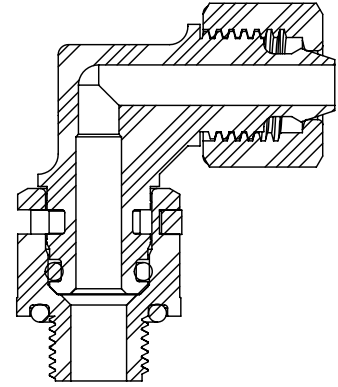


**PVDF
Temperature**
-20 °C - 120 °C
(subject to application)

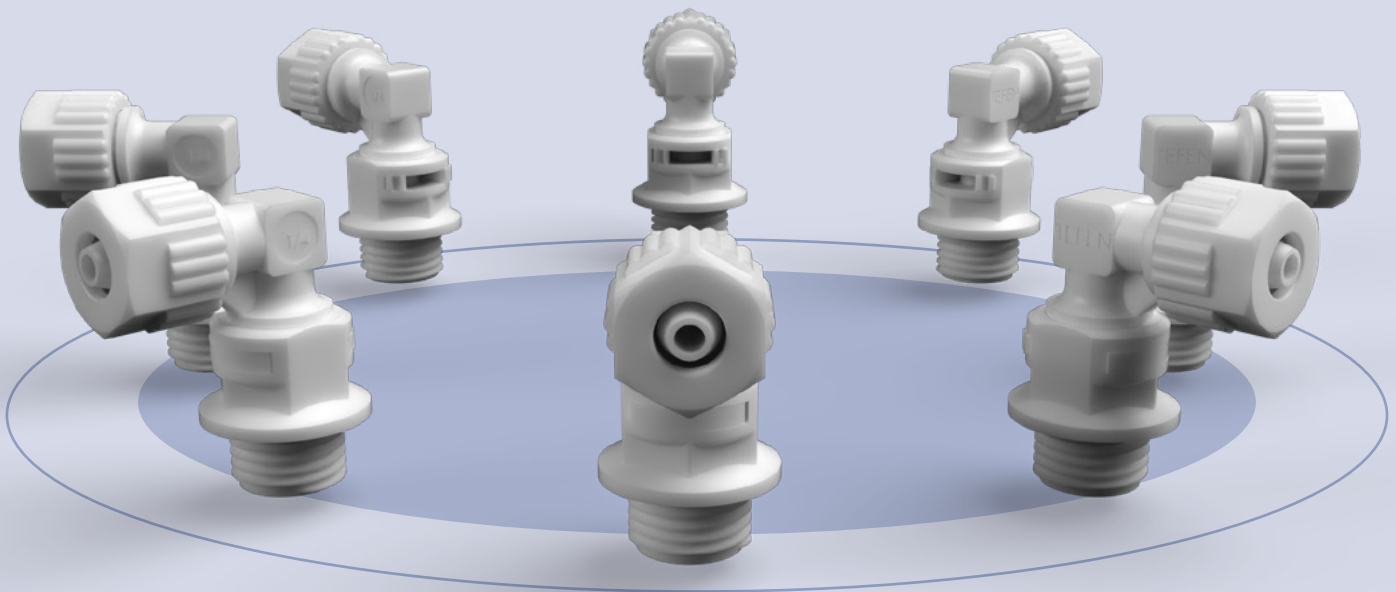


**Reinforced Polypropylene
Temperature**
4 °C - 90 °C
(subject to application)

Freely Rotates 360°



BSPP



Tefen Flow & Dosing Technologies Ltd.

Kibbutz Nahsholim, 3081500 Israel | Tel. 972 4 6395554 | info@tefentech.com | tefentech.com